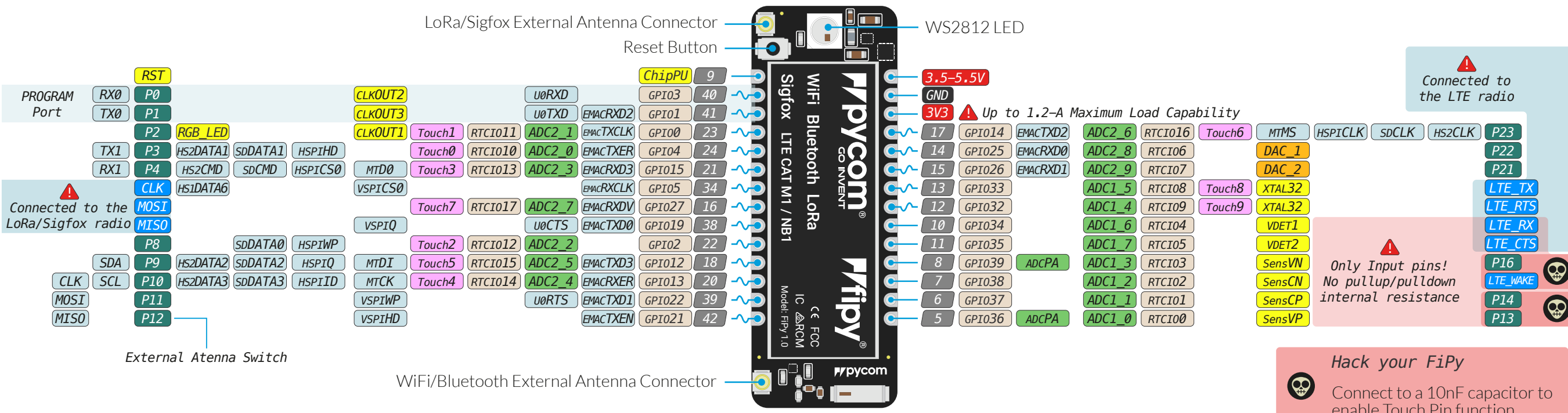


⚠ Absolute MAX per pin 12mA recommended 6mA



- Power
- GND
- Serial Pin
- Analog Pin
- Control
- Physical Pin
- Port Pin
- Touch Pin
- DAC Pin
- ~ PMW Pin

Low Level Bootloader
P2 + GND

Boot modes and safe boot
P12 + 3V3

1-3 sec Safe boot, latest firmware is selected
 4-6 sec Safe boot, previous user update selected
 7-9 sec Safe boot, the factory firmware is selected

